



AMATE



MATZ16 -TIZONA 37 pro



Tizona 37pro self-propelled sprayer vehicle

- Agricultural work equipment specially designed for the application of all types of phytosanitary and foliar products intensively inside and outside a crop field, obtaining maximum and efficiency among the plant mass, specialized in greenhouses and with very small spaces.
- The construction is made from treated steel with a central hinge and all fixing elements made of stainless steel to keep all the equipment in excellent condition. Its aerodynamic design facilitates movement within the greenhouse.
- Using a direct hydraulic system and central articulation, it enables great maneuverability in the narrowest crops, adapting to the terrain and maintaining permanent 4x4 traction, achieving a minimum turning radius.
- Comfortable driving position with a mechanical suspension seat and operator-adaptable console with control panel, equipped with 5 lighting points.

www.carretillasamate.com

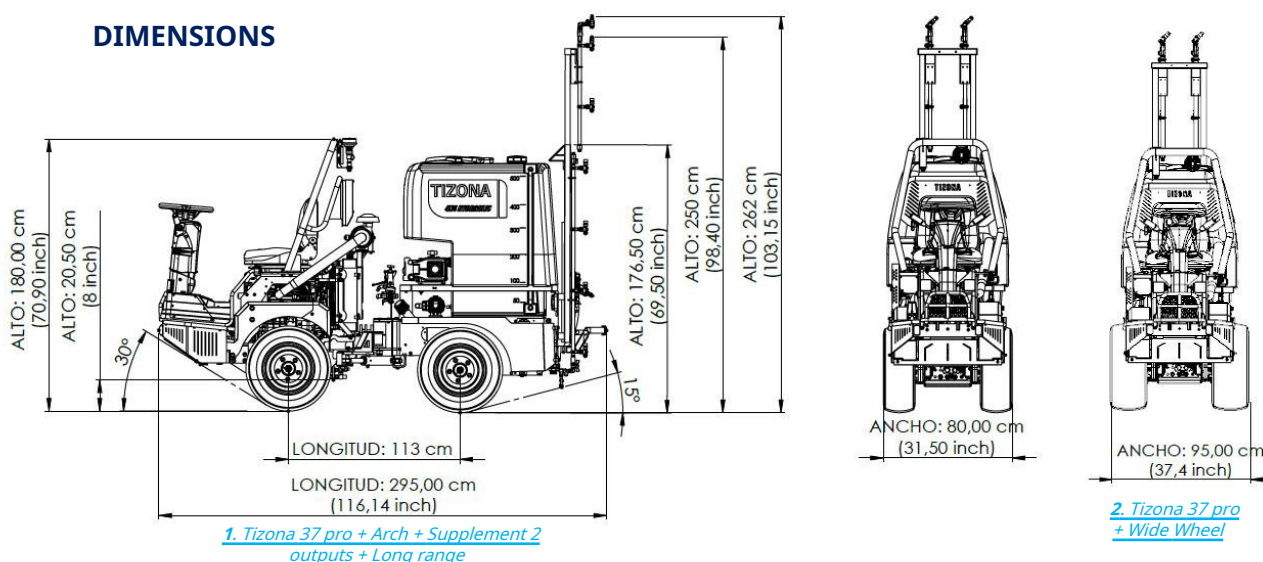
C/ Sierra de Castillejo, nº 39 - Viator - Almeria - Spain
Tf: +34 950 30 49 26 - marketing@carretillasamate.com



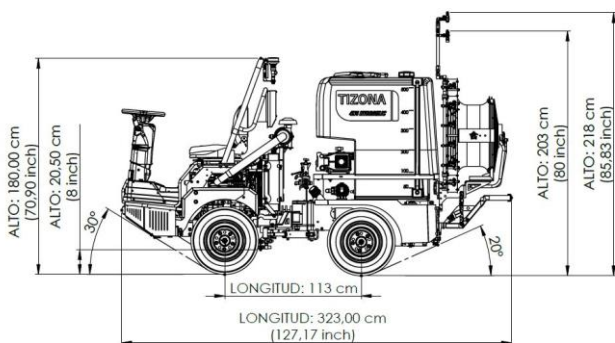
TECHNICAL SPECIFICATIONS

Tizona 37pro	Manufacturer		Amate Wheelbarrows SL
	Brand		
	Model		
	Incoterms		
	Approval		EC
	Speed	Km/h	8
	Turning radius	mts	1.20
	Uphill slope	%	39
	Weight	kg	960
	Motion		Hydrostatic
	Traction		4x4
	Wheels		23X8.50-12
Engine	Manufacturer		Kubota
	Model		V1505
	Cylinder capacity	cm2	4
	EU net power	Kw (HP)	28 (37.5)
	Non-EU net power	Kw (HP)	
	Fuel		Diesel
	Refrigeration		Water
	Consumption / autonomy	Lt/min (hours)	5.1 (2)
Spray	Manufacturer		Inmovilli pompe
	Pump model		IP62
	Maximum pressure	bar (PSI)	50
	Maximum flow rate	lt/min	70
	Internal system		piston
	Tank capacity	lt	500

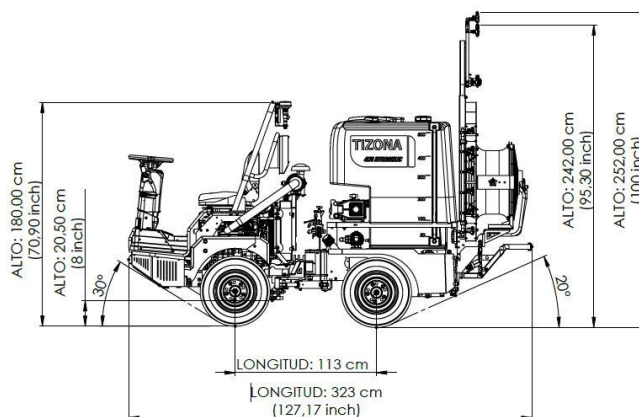
DIMENSIONS



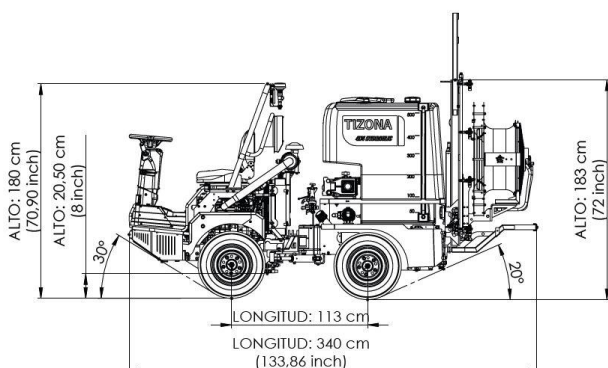
TIZONA 37 PRO SETTINGS



3. Tizona 37 pro + Atomizer + 1-outlet supplement + Long range



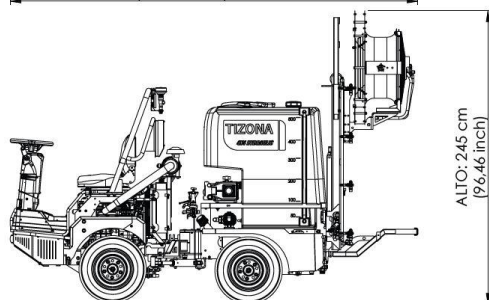
4. Tizona 37 pro + Atomizer + 2-outlet supplement + Long range



5. Tizona 37 pro + Height Req. Atomizer



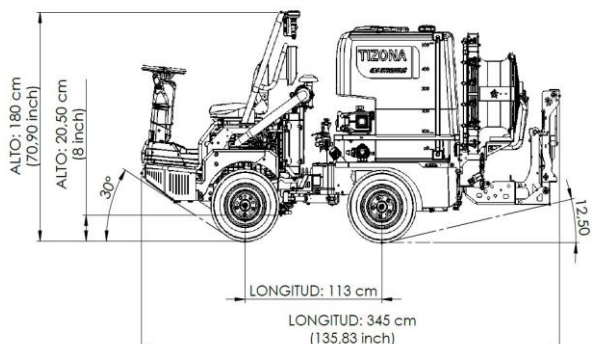
6. Tizona 37 pro + Sulfate Tower



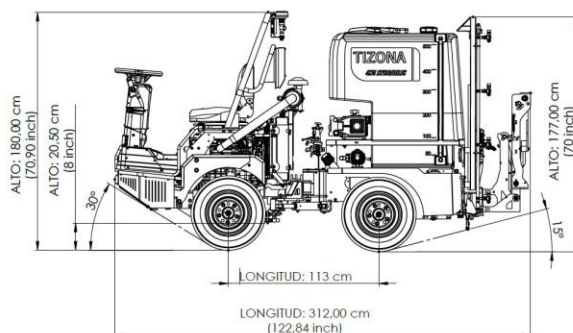
7. Tizona 37 pro + Atomizer + Rake



8. Tizona 37 pro + Bow + Rake



7. Tizona 37 pro + Atomizer + Rake



8. Tizona 37 pro + Bow + Rake

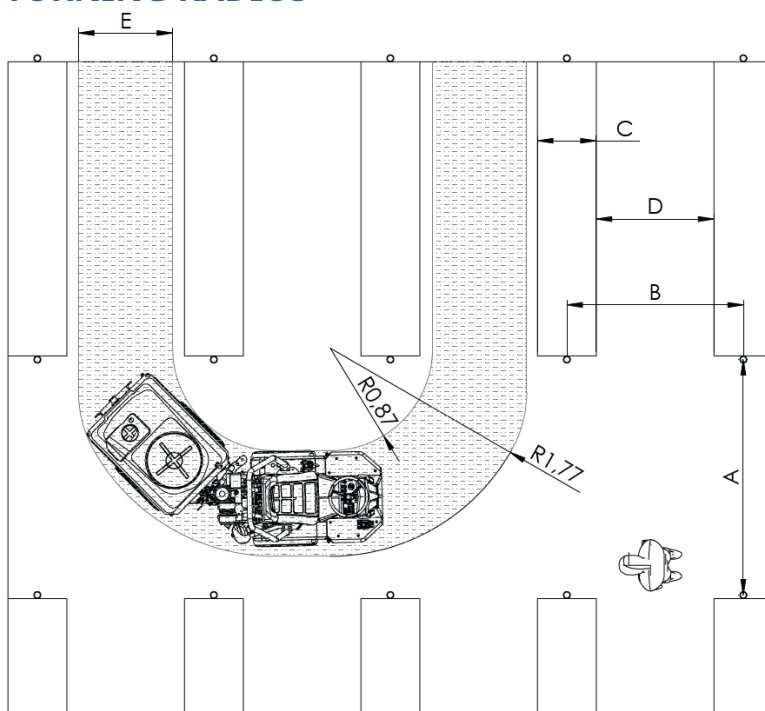
TIZONA 37 PRO customized to suit the requirements of your property de su finca.

Tizona 37 ProIt is divided into two parts that oscillate independently thanks to a central joint, adapting to uneven terrain to ensure optimal traction and stability at all times. The tires' constant grip ensures efficient transmission of engine power to the ground, thus improving performance and operational safety.



10°

TURNING RADIUS



Tizona 37 ProIt features a compact turning radius of **1.77 meters**, allowing it to maneuver with great ease in tight spaces. This optimized turning ability improves operational efficiency in confined or obstructed environments, such as greenhouses, industrial warehouses, or urban areas.

A	ANCHO PASILLO	2 m
B	MARCO PLANTACIÓN	1,5 m
C	GROSOR VEGETACIÓN	0,5 m
D	ANCHO ÚTIL LÍNEO	1 m
E	HUELLA MÁQUINA	0,8 m

9. *Tizona 37 pro + Giro*

TYPE OF WHEELS



23x8.50-12 "Garden"
23x10.50-12 "Garden"
Suitable for greenhouses with sand.



23x8.50-12 "Herringbone"
23x10.50-12 "Herringbone"
Suitable for large quantities of loose sand.



23x8.50-12 "High load capacity"
Suitable when needed high load capacity.



23x8.50-12 "All Terrain"
3x10.50-12 "All Terrain"
Suitable for all types of lands.